




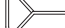


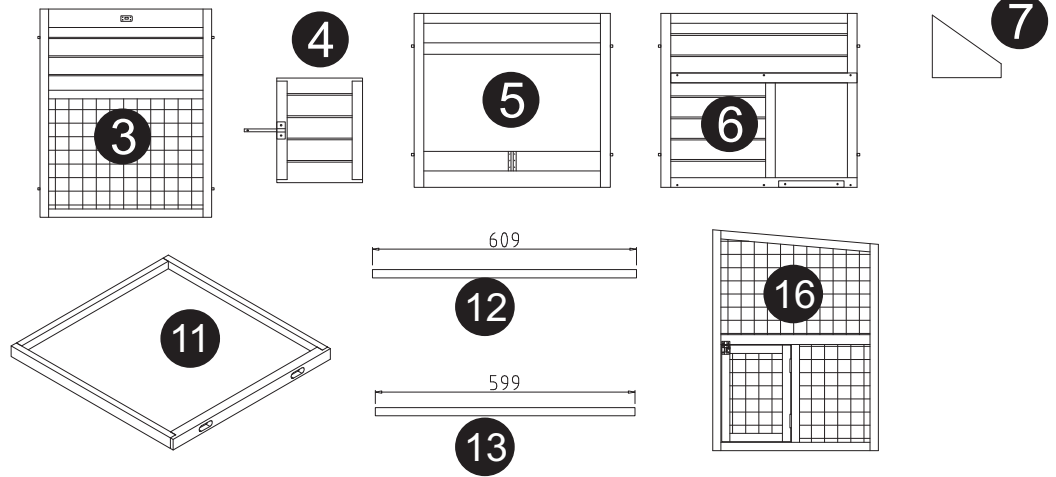


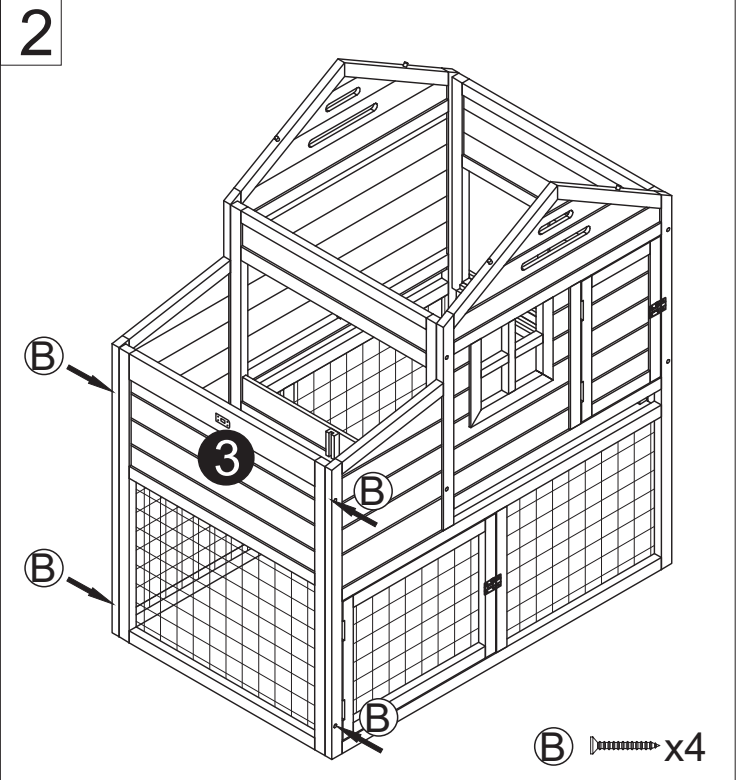
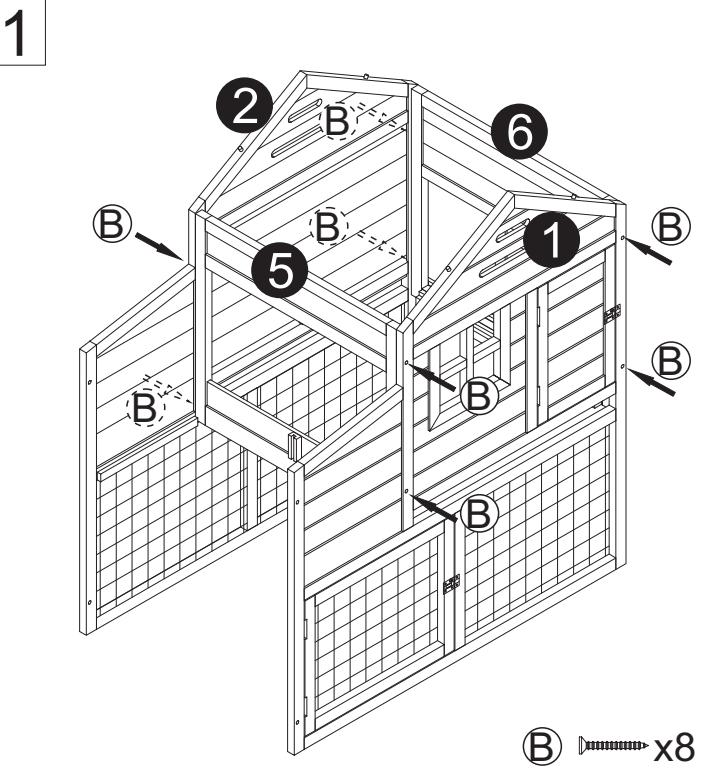
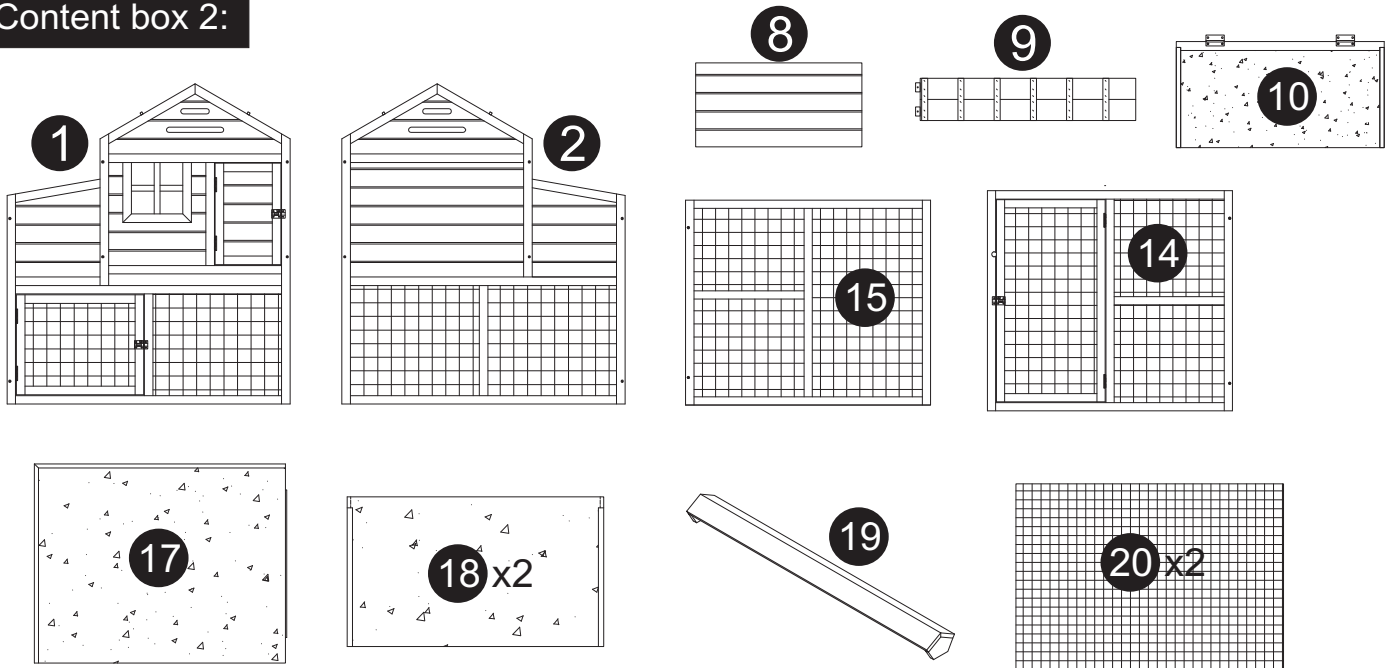
ASSEMBLY INSTRUCTIONS

Content box 1:

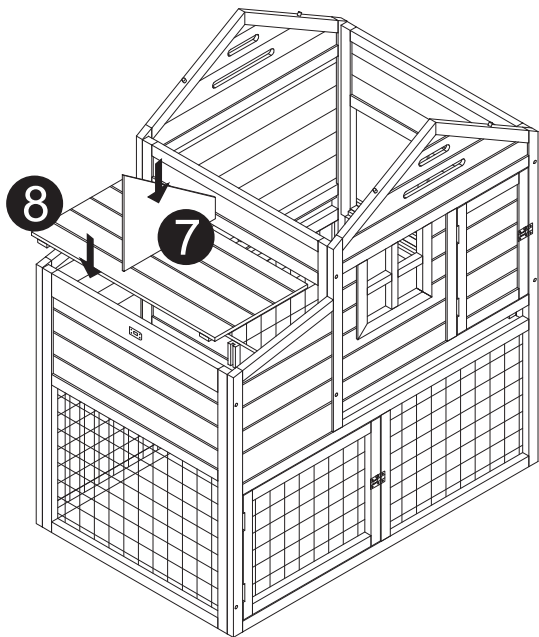
- A**  3.5x50=4x
- B**  3.5x40=16x
- C**  3.5x35=12x
- D**  3.5x25=4x
- E**  3.0x16=10x
- G**  =1x
(L=400mm)
- H**  =5x
- L**  =1x



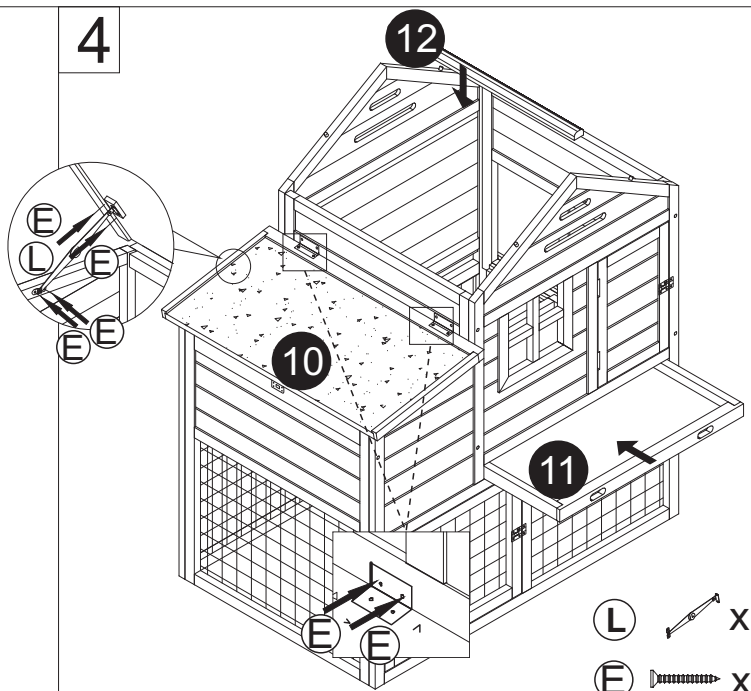
Content box 2:



3

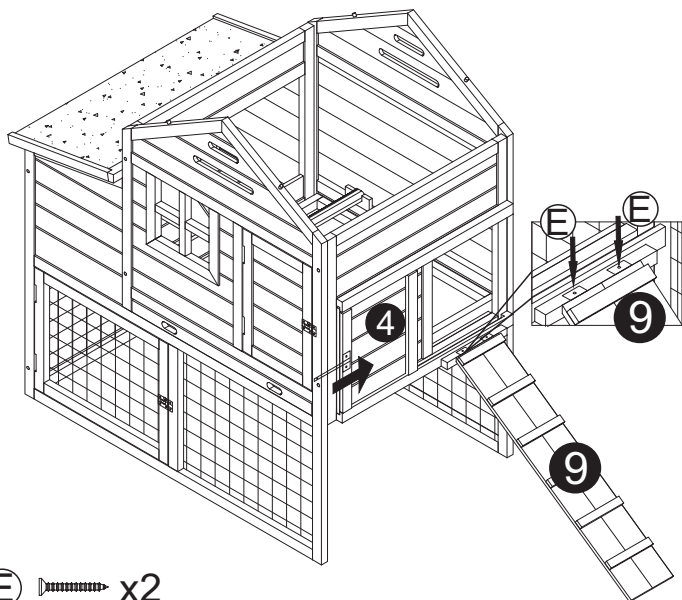


4



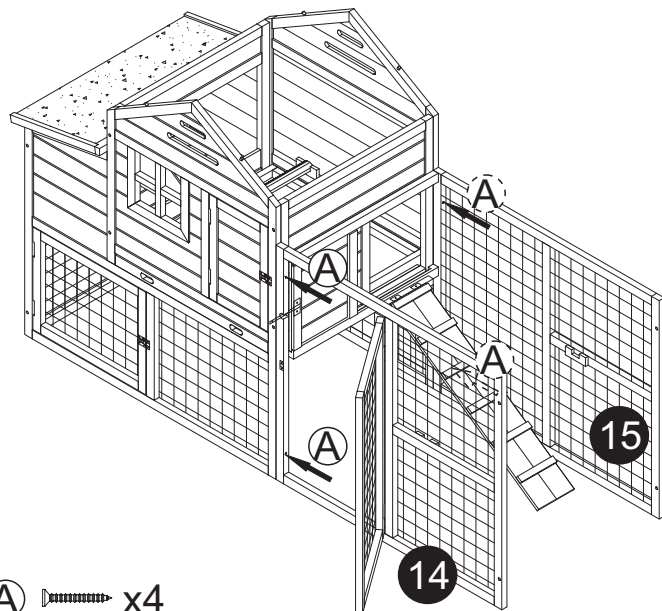
(L) x1
 (E) x8

5



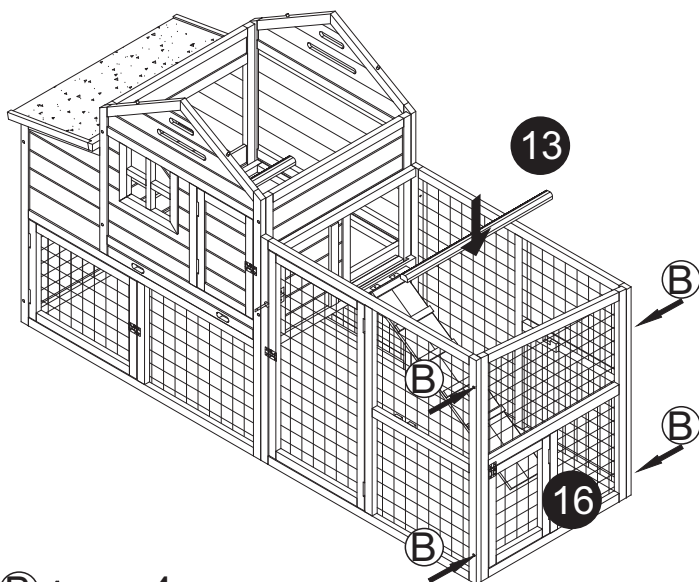
(E) x2

6



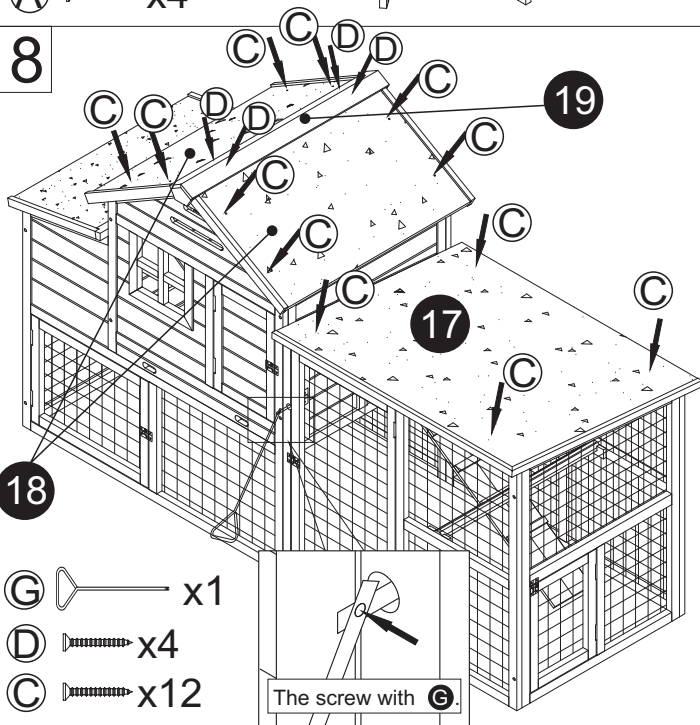
(A) x4

7



(B) x4

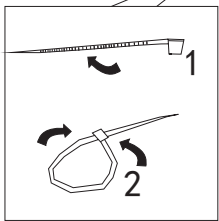
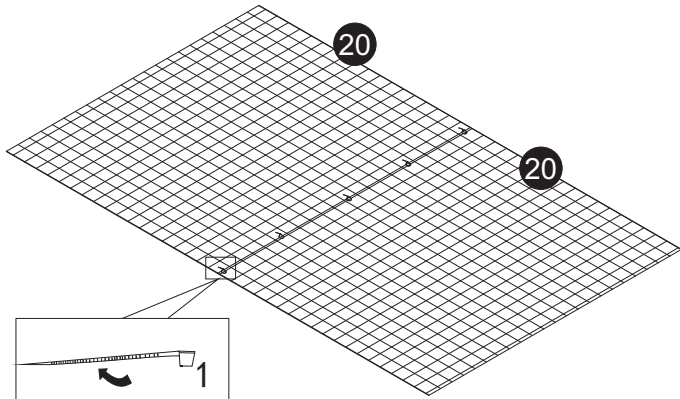
8



(G) x1
 (D) x4
 (C) x12

The screw with (G)

9



Ⓜ — 5x

10

